

Sepam series 10

Digital protection relays

Catalogue
2008



Introduction	3
Sepam protection relays, the product of experience	3
Selection guide for all applications	4
Panorama of Sepam applications	4
Presentation	6
Presentation of Sepam series 10	6
Applications	7
Sepam 10 series applications	7
Functions Sepam series 10	8
Protection functions	8
Protection and measurement functions	9
Control and monitoring	10
Connection	11
Operating diagram	11
Connection to Sepam series 10	14
Characteristics	15
Protection functions	15
Measurements	16
Electrical characteristics	17
Environmental characteristics	18
Dimensions	20
User-machine interface and dimensions	20
Sensors	21
Core balance CTs CSH120, CSH200, GO110	21
Ordering information	22
Sepam series 10	22

Sepam protection relays, the product of experience

PE60773_SE



Sepam, a complete range of protection relays.

A complete range for many different needs

Protection relays constantly monitor the power network and trip the circuit breakers to isolate the faulty portion under fault conditions: overload, short-circuit, insulation fault.

The Sepam range of protection relays is designed for all protection applications in medium-voltage public and industrial distribution networks.

It is made up of four series of relays with increasing performance levels:

- Sepam series 10 for simple applications.
- Sepam series 20 for usual applications.
- Sepam series 40 for demanding applications.
- Sepam series 80 for custom applications.

A multi-functional range of digital relays

Each Sepam series offers all the functions required for the intended application:

- effective protection of life and property
- accurate measurements and detailed diagnosis
- integral equipment control
- local or remote indications and operation.

A Sepam solution for every application

For each electrotechnical application, Sepam offers the relay suited to the protection needs of your network:

- substations (incomer or feeder type)
- transformers
- motors
- generators
- busbars
- capacitors.

Schneider Electric, a global offer

World leader in power & control

Schneider Electric makes electricity safe, as well as facilitating and improving its use.

Worldwide presence

Schneider Electric contributes to customer performance through its unique selection of products, solutions and services, as well as its dynamic policy of innovation.

Over 13 000 points of sale and 205 factories in 190 countries

You can be sure of finding the range of products meeting your needs and complying perfectly with local standards.

Our technicians are always on hand to provide solutions tailored to your needs and all the technical assistance you may require.

PE60828



Schneider Electric, by your side in over 190 countries.

Schneider Electric, vast experience in protection relays

Breaking new ground back in 1982, Merlin Gerin launched Sepam, the first multi-functional, digital protection relay. Today, with the extended Sepam range (series 10, 20, 40 and 80), you benefit from over 30 years of experience on the part of the Schneider Electric R&D teams.

More than 400 000 Sepam relays have been installed in over 130 countries and in every sector of activity:

- energy production and distribution
- infrastructure: airports, tunnels, public transportation, water treatment
- industry: automobile, mines, semiconductors, metallurgy, petrochemicals
- commercial sector: shopping centres, hospitals.

Sepam for reliability and quality, from design on through to operation

- Design based on dependability studies, complying with the functional-safety requirements of standard IEC 61508.
- Product development and manufacturing certified ISO 9001.
- Environmentally friendly manufacturing certified ISO 14001.
- Service quality ensured by decentralized logistics and support
- Compliance with international standards and local certification.



The selection guide proposes the types of Sepam suited to your protection needs.

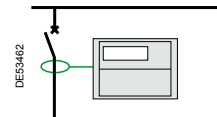
Sepam series 10

For simple applications



Characteristics

- 4 logic inputs
- 7 relay outputs
- 1 communication port



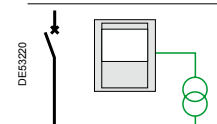
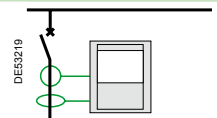
Sepam series 20

For usual applications



Characteristics

- 10 logic inputs
- 8 relay outputs
- 1 communication port
- 8 temperature-sensor inputs



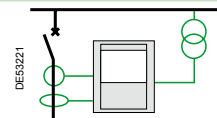
Sepam series 40

For demanding applications



Characteristics

- 10 logic inputs
- 8 relay outputs
- logical-equation editor
- 1 communication port
- 16 temperature-sensor inputs



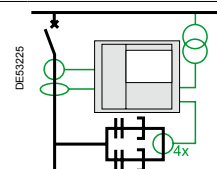
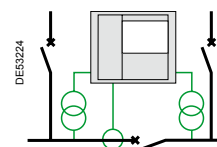
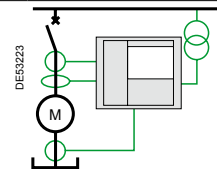
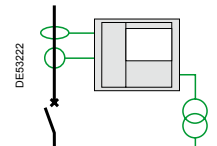
Sepam series 80

For custom applications



Characteristics

- 42 logic inputs
- 23 relay outputs
- logical-equation editor
- 2 communication ports for multi-master or redundant architectures
- 16 temperature-sensor inputs
- removable memory cartridge containing settings and parameters for rapid return to service
- user-machine interface with mimic for local control in complete safety
- optional Logipam programming software for specific functions



Protection functions		Applications					
basic	specific	Substation	Busbars	Transformer	Motor	Generator	Capacitor
phase-overcurrent and earth-fault protection		Series 10 A Series 10 B		Series 10 A Series 10 B Series 10 N			
current		S20		T20	M20		
	breaker failure	S23		T23			
voltage and frequency			B21				
	disconnection by "rate of change of frequency"		B22				
current, voltage and frequency		S40		T40		G40	
	directional earth fault	S41			M41		
	directional earth fault and phase overcurrent	S42		T42			
current, voltage and frequency		S80	B80				
	directional earth fault	S81		T81	M81		
	directional earth fault and phase overcurrent	S82		T82		G82	
	disconnection by "rate of change of frequency"	S84					
current, voltage and frequency	transformer or transformer-machine differential			T87	M88	G88	
	machine differential				M87	G87	
current, voltage and frequency	voltage and frequency protection for two sets of busbars		B83				
current, voltage and frequency	capacitor-bank unbalance						C86

PB100446_SE



Sepam series 10.

Sepam series 10 is a high-quality protection relay that represents the most cost-effective solution available for essential protection functions. Highly ergonomic, it is easy to install and set up.

Sepam series 10 specifics

Sepam series 10 monitors phase and/or earth-fault currents. Three models meet a wide range of different needs :

- **N**: Sepam series 10 N protects against earth faults
- **B**: Sepam series 10 B protects against overloads, phase-to-phase faults and earth faults
- **A**: Sepam series 10 A provides the same functions as Sepam series 10 B, with also a communication port, more inputs and outputs, and additional protection and monitoring functions.

Simplicity

- **easy operation** - screen, keys, pictograms, etc., good ergonomics
- **fast set-up** - installation, wiring, parameter setting directly on the relay without a PC
- **easy stock management** - a single box, no accessories.

Reliability

- **guaranteed protection of life and property** - high-quality product, compliance with standards, continuous self-test
- **safety of operating personnel** - all accessible parts are made of insulating materials, light and compact product with no sharp edges
- **environmentally friendly** - compliance with the European RoHS directive, low energy consumption, manufacture in factory certified ISO 14001 and recyclable to more than 85%.

Productivity

- **attractive, cost-effective product** - easy to understand, no unnecessary complications, suited to user needs
- **improved availability of electricity** - precise tripping set points and times, logic discrimination, detailed information made spontaneously available to operator following tripping.
- **reduced maintenance costs** - continuous self-tests to extend periods between maintenance.

Functions		ANSI code	Sepam series 10		
			N	B	A
Protections					
Earth-fault protection	Standard	50N/51N	<input type="checkbox"/>	<input type="checkbox"/>	<input type="checkbox"/>
	Sensitive			<input type="checkbox"/>	<input type="checkbox"/>
	High sensitivity		<input type="checkbox"/>	<input type="checkbox"/>	<input type="checkbox"/>
Phase-overcurrent protection		50/51		■	■
Thermal overload protection		49RMS		■	■
Phase-overcurrent and earth fault protection cold load pick-up				■	■
Logic discrimination	blocking send	68	■	■	■
	blocking reception				■
External tripping					■
Measurements					
Earth-fault current			■	■	■
Phase currents				■	■
Peak demand currents				■	■
Control and supervision					
Circuit breaker tripping and lockout		86	■	■	■
Tripping indication			■	■	■
Trip-circuit supervision					■
Remote circuit-breaker control					■
Record of last fault			■	■	
Record of last five events					■
Communication					
Modbus					■
IEC 60870-5-103					■
Inputs/Outputs (number)					
Earth-fault current inputs			1	1	1
Phase-current inputs			-	2 or 3	3
Logic relay outputs			3	3	7
Logic inputs			-	-	4
Communication port			-	-	1

- Function available.
- Function availability depends on the Sepam model.

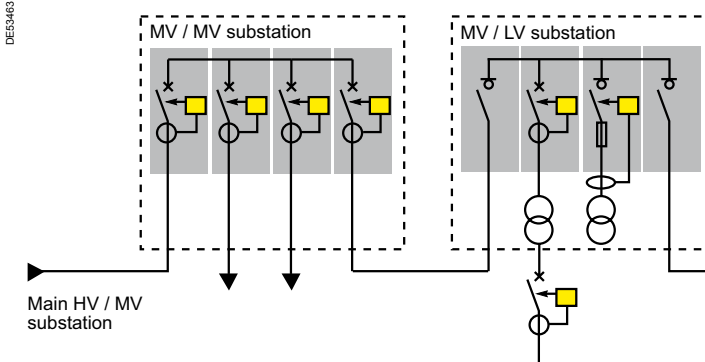
Protection applications

The primary applications for Sepam series 10 are:

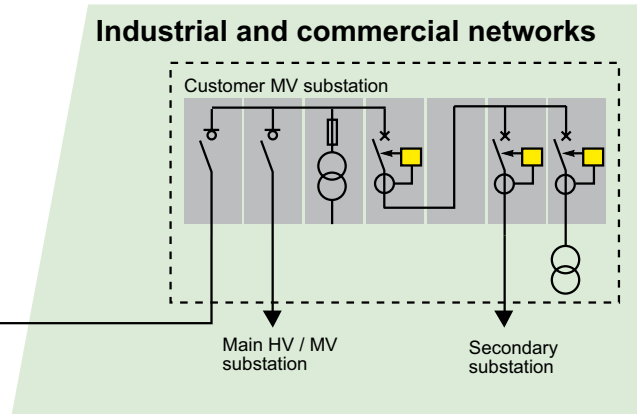
- protection of secondary distribution networks (MV/MV and MV/LV substations)
- protection of buildings supplied with medium voltage (MV), including office buildings, shopping centres, industrial buildings, warehouses, etc.
- protection of low-voltage networks by tripping a Masterpact NW circuit breaker not equipped with a Micrologic control unit.

Power system protections

Utility network



Industrial and commercial networks

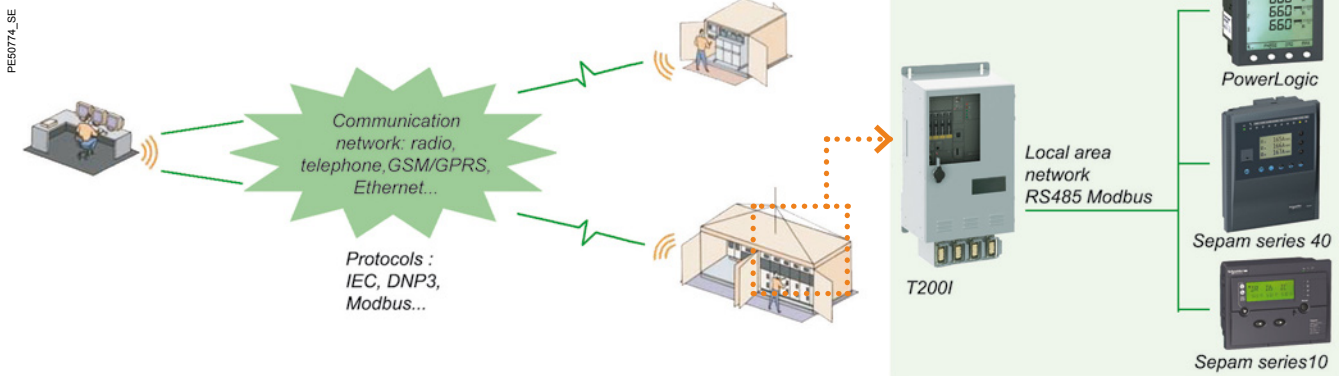


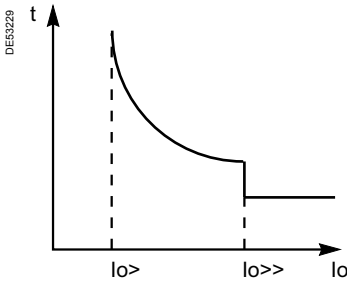
Integration in a remote-control system

To manage MV substations, Sepam protection relays can be connected to Easergy T200I remote-control and monitoring interfaces (RTU) for operation with PowerLogic power-monitoring units and Flair fault detectors.

This flexible solution includes a number of functions:

- protection of incoming and outgoing circuits
- detection of fault currents
- switch management
- database containing event logs and measurements
- backed-up power supply
- communication via SCADA
- local and remote access via a web server.





Earth-fault protection (ANSI 50N-51N)

Earth-fault protection detects overcurrents caused by phase-to-earth faults. It uses measurements of the fundamental component of the earth-fault current.

2 independent set points ($I_{o>}$ and $I_{o>>}$)

- the low set point ($I_{o>}$) offers definite time (DT) or IDMT settings with various types of standardized curves (IEC, IEEE, RI) and it is possible to enable an IDMT timer hold.

- the high set point ($I_{o>>}$) offers only the definite time (DT) setting. The minimum setting results in instantaneous operation (ANSI 50).

Depending on the required level of sensitivity, there are three types of Sepam relays.

Sensitivity	Sensor	Setting range
Standard	3 phase CTs or 1 earth-fault protection CT, with rated primary current I_{no}	0.1...24 I_{no}
Sensitive ⁽¹⁾	3 phase CTs or 1 earth-fault protection CT, with rated primary current I_{no}	0.01...2.4 I_{no}
High sensitivity	Special core balance CSH or GO, with ratio of 470/1	0.2...240 A primary, i.e. 0.0004...0.5 I_{no}

⁽¹⁾ Setting not available with Sepam series 10N.



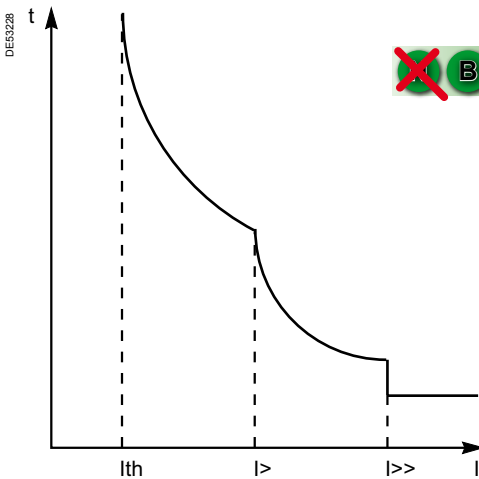
Phase-overcurrent protection (ANSI 50-51)

Phase-overcurrent protection detects overcurrents caused by phase-to-phase faults. It uses the measurements of the fundamental component of currents drawn from two or three phase CTs, with a secondary rating of 1 A or 5 A.

2 independent set points ($I_{>}$ and $I_{>>}$)

- the low set point ($I_{>}$) offers definite time (DT) or IDMT settings with various types of standardized curves (IEC, IEEE, RI) and it is possible to enable an IDMT timer hold.

- the high set point ($I_{>>}$) offers only the definite time (DT) setting. The minimum setting results in instantaneous operation (ANSI 50).



Thermal image overload protection (ANSI 49 RMS)

This protection function is used to protect cables and HV/LV transformers against overloads, based on measurement of the current drawn.

The function is based on a thermal model which calculates the temperature rise from current measurements. The current measured is an RMS 3-phase current which takes into account harmonics up to number 13.

Two protection settings

- the continuous maximum permissible current setting which corresponds to the maximum thermal withstand of the protected devices (the continuous permissible current corresponds to a temperature rise of 100 %).

- the setting for the equipment heating and cooling time constant.



Phase-overcurrent and earth-fault protection cold load pick-up

The desensitization function avoids nuisance tripping during energizing operations, particularly following a long outage. It temporarily raises the protection set point.

High currents during energization may be due to:

- simultaneous energizing of all loads in an installation (air conditioning, heating, etc.)
- magnetizing currents in power transformers (these currents can saturate the phase-current sensors and create a false residual current on the secondary of the sensors)
- motor starting currents.

Protection function	Mode of action
Phase-overcurrent protection	After circuit-breaker closing, the tripping set points ($I>$ or $I>>$) are increased or disabled for the set time.
Earth-fault protection	After circuit-breaker closing, the tripping set points ($I_o>$ or $I_o>>$) are increased or disabled for the set time. Or This protection is restrained by sensor saturation detection (H2 measurement) ⁽¹⁾

(1) Setting not available with Sepam series 10 N.



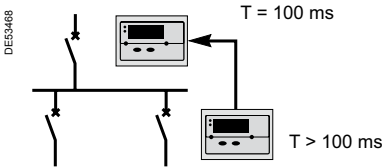
Logic discrimination (ANSI 68)

This function provides:

- perfect tripping discrimination with phase-to-phase and phase-to-earth short-circuits, on all types of network
- faster tripping of the breakers closest to the source.

All Sepam series 10 relays (N, B and A) can send a blocking signal when a fault is detected by the phase-overcurrent and earth-fault protection functions.

Only the Sepam series 10 A relays can receive blocking signals which inhibit protection tripping. A saving mechanism (exclusive Sepam function) ensures back-up protection in the event of a blocking link failure.



Logic discrimination ensures tripping within 100 ms for a fault affecting the substation busbars, while maintaining discrimination with the feeders.



External tripping

A Sepam series 10 A can receive, via a logic input, a tripping order from an external protection device.



Earth-fault current

This function displays the value of the fundamental of the earth-fault current.

For this measurement and for earth-fault protection (ANSI 50N/51N), the zero-sequence input must be connected either to the common point of the three phase CTs or to one earth-fault protection CT or to a CSH120, CSH200 or GO110 core balance CT.



Phase currents

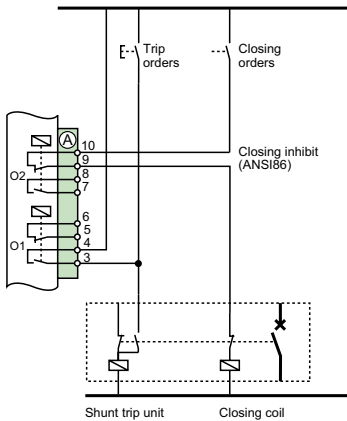
This function displays the rms phase-current values and takes into account harmonics up to order 13. On Sepam series 10•4••, this function displays the three phase currents. On Sepam series 10•3••, only the A and C phases are connected and displayed.



Peak demand currents

This function displays the greatest average current on each of the three phases and indicates the current absorbed by peak loads.

DES167



Circuit-breaker control with a Sepam series 10B or N.



Circuit breaker tripping and lockout (ANSI 86)

Sepam can be used in all types of circuit-breaker control systems.

Functions of the output relays

Relay outputs Standard assignment

O1	Circuit-breaker tripping
O2	Closing inhibited
O3	Tripping indication



Trip-circuit supervision

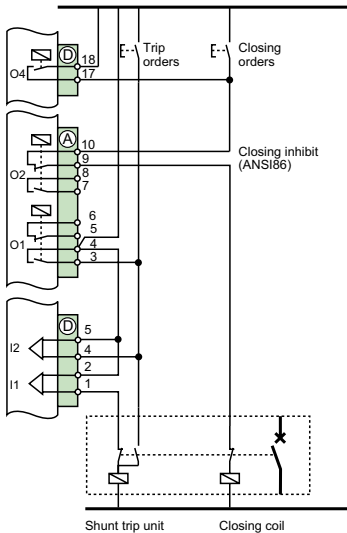
This function continuously monitors the trip circuit to make sure that it has not been interrupted. The system shown opposite runs a low current through the trip circuit. Sepam checks that the current is effectively present.



Remote circuit-breaker control

The circuit breaker can be remotely controlled via the communication system. A Sepam logic input is used to select the operating mode (local or remote).

DES168



Circuit-breaker control with a Sepam series 10A.



Record of last fault

Displays the characteristics of the last fault. Sepam indicates the fault source, the value of the three phase currents and the earth current at the time of tripping. The information is stored in memory until the next fault.

Origin of recorded faults : I>, I>>, Io>, Io>> and thermal overload protection.



Record of last five events

Displays the characteristics of the last five events. For each event, Sepam indicates the fault source, the value of the three phase currents and the earth current at the time of the event and the date and time of the event.

The events are numbered in order of occurrence and the last five are memorized.

Recorded events:

- tripping due to I>, I>>, Io>, Io>>, thermal overload protection
- tripping via input signal from external device
- fault in tripping circuit
- circuit-breaker opening and closing initiated by communication
- tripping due to I>, I>>, Io> or Io>> (logic discrimination back-up)



Communication

Sepam series 10 A relays are equipped with an RS485 communication port.

The desired protocol (two available) must be set up in the parameters:

Modbus, IEC 60870-5-103.

Communication can be used for a number of functions:

- reading of measurements
- reading of status conditions
- reading of time-stamped measurements and events (two tables containing 100 events are available)
- time setting and synchronisation
- transmission of remote controls

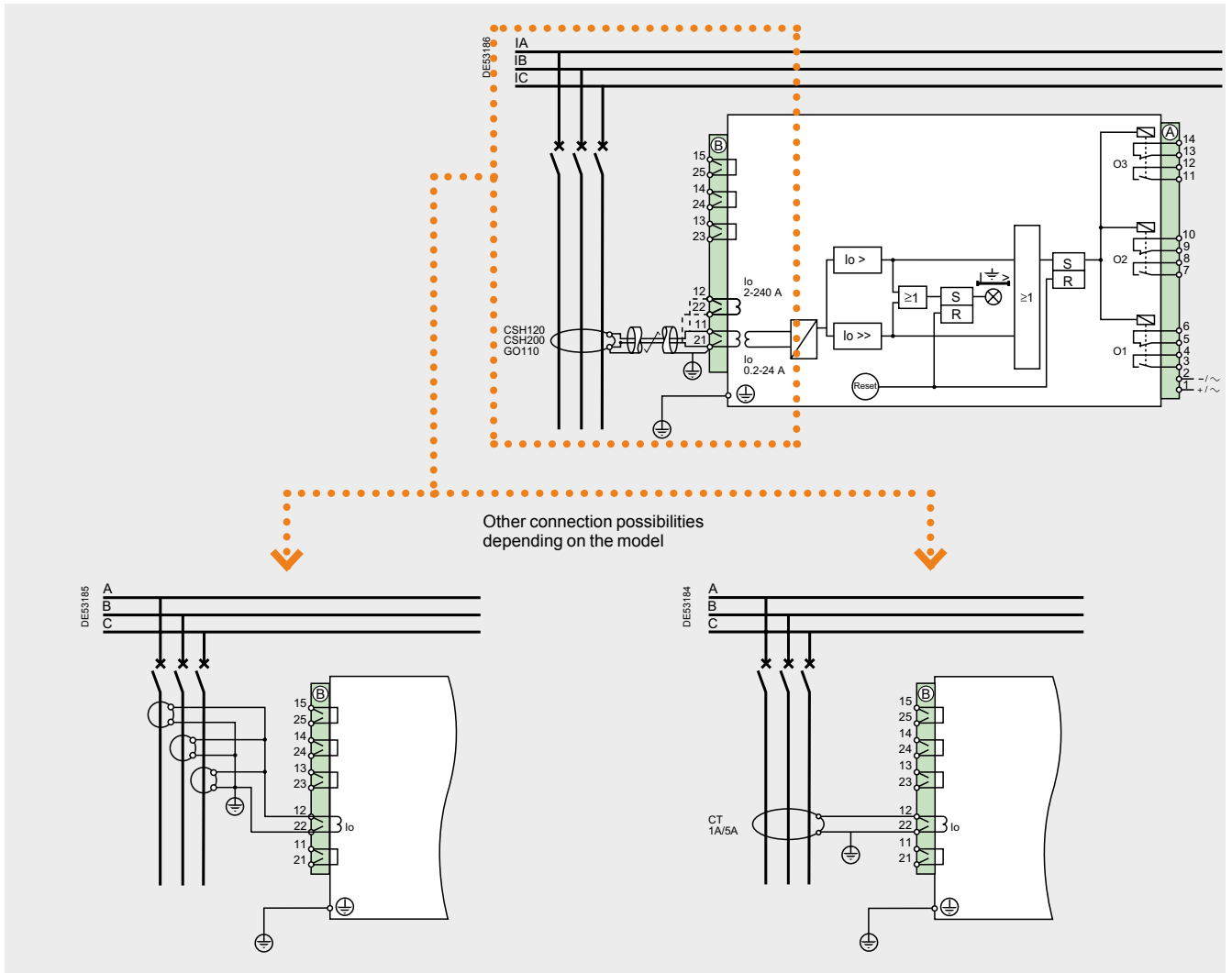


Operating language

On delivery, the default language is English. The languages that may be selected are UK English, US English, French, German, Italian, Portuguese, Spanish and Turkish.



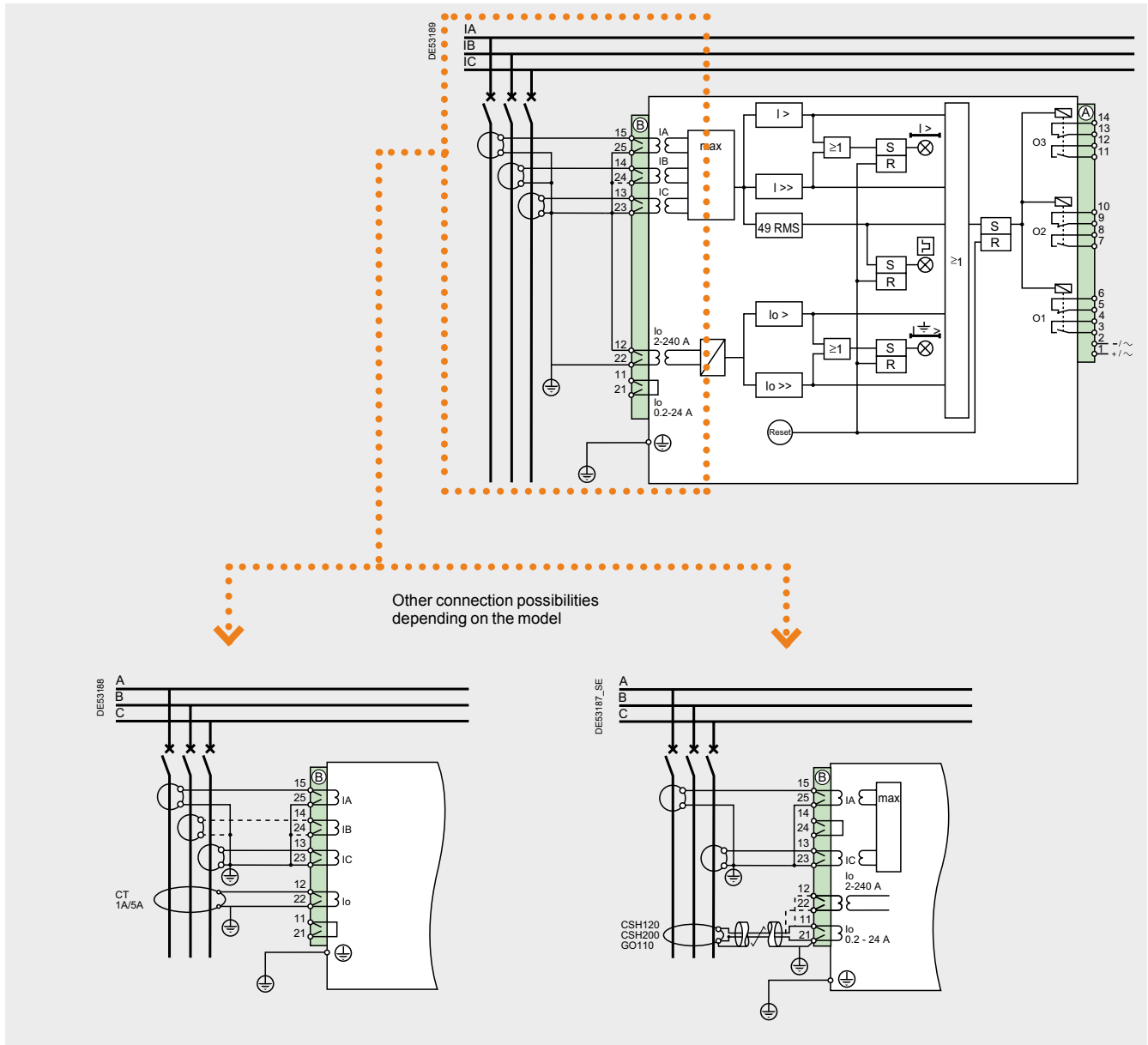
Sepam series 10 N



Relay outputs	Standard assignment	Customization via parameter settings
O1	Circuit breaker tripping	YES
O2	Circuit breaker lockout	YES
O3	Tripping indication	YES



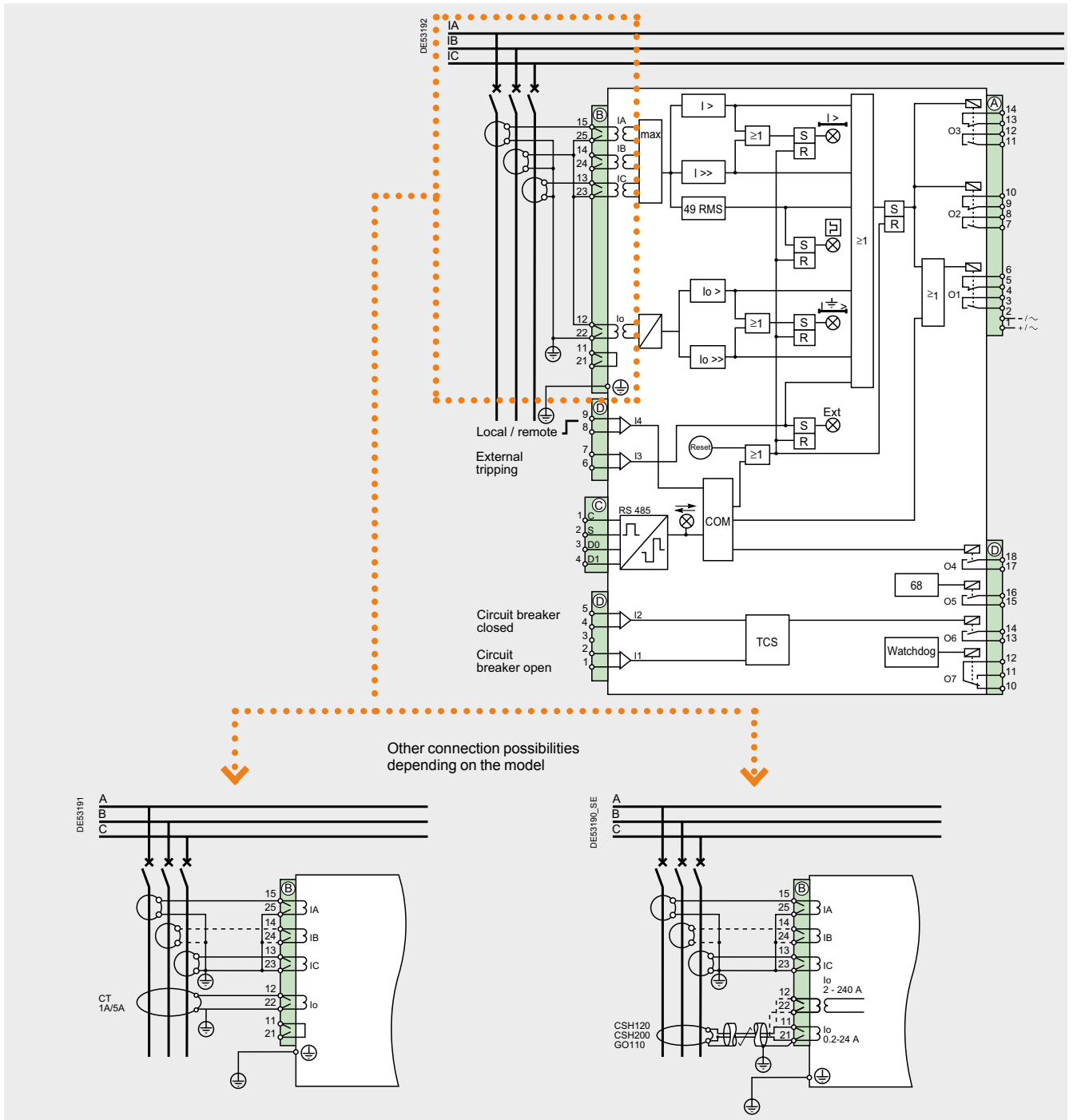
Sepam series 10 B



Relay outputs	Standard assignment	Customization via parameter settings
O1	Circuit breaker tripping	YES
O2	Circuit breaker lockout	YES
O3	Tripping indication	YES

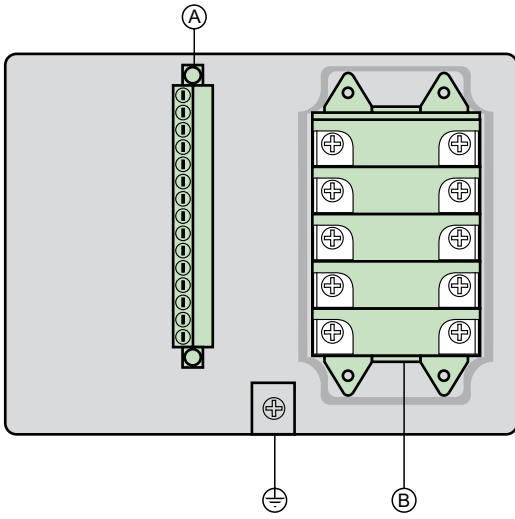


Sepam series 10 A



Logic inputs	Standard assignment	Customization via parameter settings
I1	Circuit breaker open	NO
I2	Circuit breaker closed	NO
I3	External tripping	YES
I4	Local / remote	YES
Relay outputs	Standard assignment	Customization via parameter settings
O1	Circuit breaker tripping	YES
O2	Circuit breaker lockout	YES
O3	Tripping indication	YES
O4	Circuit breaker closing by remote control	NO
O5	Blocking send	YES
O6	Indication of trip circuit fault (TCS)	YES
O7	Watchdog	NO

DEE3234



Sepam series 10 N and 10 B.

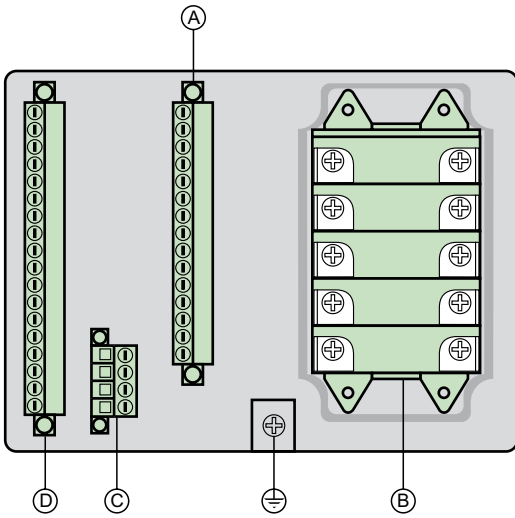
Connector A: supply and logic outputs 01 to 03

Diagram	Terminals	Signals
	1-2	Auxiliary power supply
	3-4 and 5-6	Logic output O1
	7-8 and 9-10	Logic output O2
	11-12 and 13-14	Logic output O3

Connector B: inputs for phase and earth-fault currents

Diagram	Terminals	Signals
	13-15, 23-25	Phase-current inputs
	12-22	Input for earth-fault current I ₀ ■ for standard and sensitive earth-fault protection ■ for high sensitivity earth-fault protection (rating 2...240 A)
	11-21	Input for earth-fault current I ₀ , only for high sensitivity earth-fault protection (rating 0.2...24 A)

DEE3235



Sepam series 10 A.

Connector C : 2-wire RS485 communication port

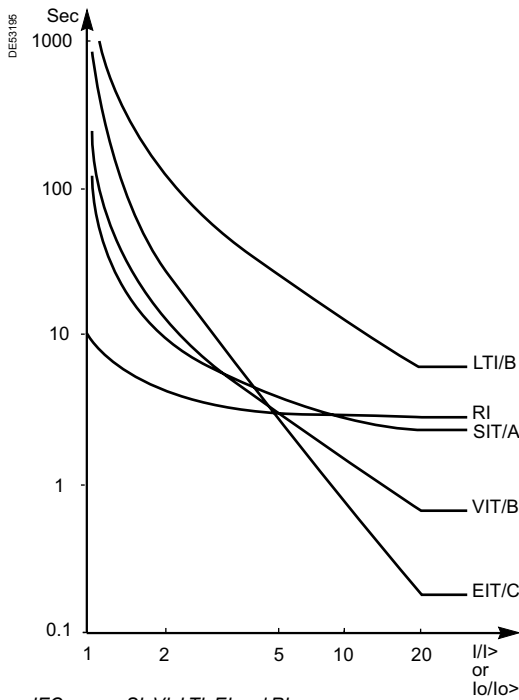
Diagram	Terminals	Signals
	1	Common
	2	Shielding
	3	D0 communication - negative polarity (A)
	4	D1 communication - positive polarity (B)

Connector D: additional logic inputs/outputs

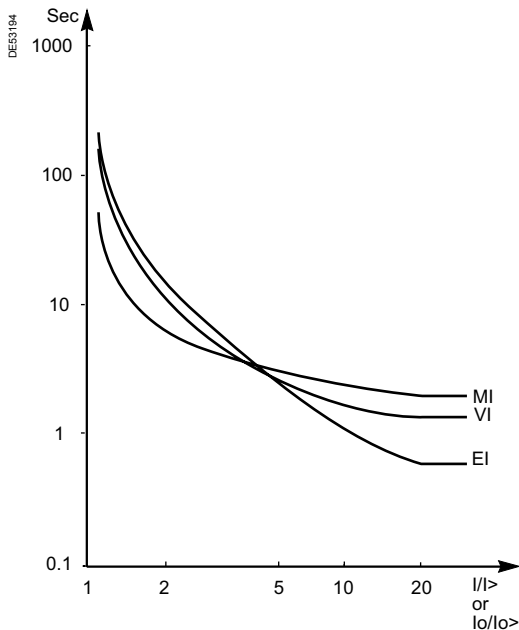
Diagram	Terminals	Signals
	1-2, 4-5, 6-7, 8-9	Independent logic inputs
	10-11-12	Logic output O7: watchdog
	13-14, 15-16, 17-18	Logic outputs: normally open contact

Wiring

Identification	Type of terminal	Wiring
ⓑ	Screw, 4 mm (0.16 in)	1...6 mm ² (AWG 18...10) - 2 lugs maximum
Ⓐ, Ⓒ et Ⓓ	Screw clamp, 3 mm (0,12 in)	■ 1 wire: 0.2...2.5 mm ² (AWG 24...12) ■ 2 wires: 0.2...1 mm ² (AWG 24...18)
Ⓧ	Screw, 4 mm (0,16 in)	6 mm ² green/yellow wire (AWG 10)



IEC curves SI, VI, LTI, EI and RI curve.



IEEE curves MI, VI, EI.

Protection function 50/51, 50N/51N

Tripping curve

- DT: Definite time
- SIT/A: IEC standard inverse
- VIT/B: IEC very inverse
- LTI/B: IEC long-time inverse
- EIT/C: IEC extremely inverse
- MI/D: IEEE moderately inverse
- VI/E: IEEE very inverse
- EI/F: IEEE extremely inverse
- RI

I>, I>> set points

DT curve	0.1...24 I _n (minimum: 1 A)
IDMT curves	0.1...2.4 I _n (minimum: 1 A)
Accuracy	±5 % or ±0.02 I _n
Drop out/pick up ratio	95 %
Transient overshoot	< 10 %

Io>, Io>> set points

DT curve	Standard version	Setting range: 0.1...24 I _{no} (minimum: 1 A)
	Sensitive version	Setting range: 0.01...2.4 I _{no} (minimum: 0.1 A)
High sensitivity version	Rating 0.2...24 A	Setting range: 0.0004...0.05 I _{no} (I _{no} = 470 A)
	Rating 2.0...240 A	Setting range: 0.004...0.5 I _{no} (I _{no} = 470 A)
IDMT curves	Standard version	Setting range: 0.2...2.4 I _{no} (minimum: 1 A)
	Sensitive version	Setting range: 0.01...0.24 I _{no} (minimum: 0.1 A)
	High sensitivity version	Rating 0.2...24 A Setting range: 0.0004...0.005 I _{no} (I _{no} = 470 A)
	Rating 2.0...240 A	Setting range: 0.004...0.05 I _{no} (I _{no} = 470 A)

Accuracy	±5 % ou ±0.02 I _{no}
Drop out/pick up ratio	95 %
Transient overshoot	< 10 %

Time delay

DT curve	0.05...300 s
IEC, RI curves	TMS: 0.02...2 (step: 0.01)
IEEE curve	TD: 0.5...15 (step: 0.1)
Accuracy	DT curve: ±2% or ±20 ms IDMT curves: ±5% or ±20 ms
Timer hold	Selection: ON/OFF. Common setting for I> and Io> set points
Accuracy	±2 % or ±20 ms

Characteristic times

Operation time	< 40 ms at 2 x set point (typically 25 ms)
Overshoot time	< 40 ms at 2 x set point
Reset time	< 50 ms at 2 x set point

Protection function 49RMS

Set points

Alarm set point	Setting range	50...100 % of permissible thermal capacity
Trip set point	Setting range	0.1...2.4 I _n (value of permissible current)
	Accuracy	±5 % or ±0,02 I _n
	Drop out/pick up ratio	95 %

Time delay

Time constant	Setting range	1...120 mn in 1 mn. steps
	Tripping-time accuracy	±2 % or ±2 s

Measured characteristic		Value
Rms phase current and peak demand currents	Measurement range	0.1 In...1.5 In
	Accuracy	±1 % typical at In ±2 % 0,3 In... 1.5 In ±5 % 0.1 In...0.3 In
Earth-fault current	Range for standard version	0.1 Ino...1.5 Ino (or In)
	Range for sensitive version	0.01 Ino...1.5 Ino (or In)
	Range for high sensitivity version	0.25...24 A primary or 2.5...240 A primary Depending on the rating
	Accuracy	±1 % typical at Ino (or In) ±2 % 0.3 Ino...1.5 Ino (or In) ±5 % 0.005 Ino...0.3 Ino (or In)
Phase tripping currentt	Measurement range	0.1 In...40 In
	Accuracy	±5 %
Earth-fault tripping current	Range for standard version	0.1 Ino...40 Ino (or In)
	Range for sensitive version	0.01 Ino...4 Ino (or In)
	Range for high sensitivity version	0.2...40 A primary or 2...400 A primary Depending on the rating
	Accuracy	±5 %

Current inputs	Characteristics	Conditions	Value		
Current transformer: ■ primary: 1...6300 A ■ secondary: 1 A or 5 A	Consumption	at 1 A	< 0.004 VA		
		at 5 A	< 0.1 VA		
	Continuous thermal withstand	-	4 In		
	Overload as per IEC 60255-6	1 s	100 In		
		3 s	40 In		
CSH120, CSH200 or GO110 core balance CT	Continuous thermal withstand	-	300 A		
	Overload as per IEC 60255-6	1 s	20 kA		
Logic inputs	Characteristics	Applicable to	DC value	AC value	
Sepam series 10A, I1 to I4	Maximum voltage	series 10 ••• A	125 V +20 %	120 V +20 %	
		series 10 ••• E	250 V +20 %	240 V +20 %	
		series 10 ••• F	250 V +20 %	-	
	Frequency	series 10 ••• •	-	47...63 Hz	
	Typical switching threshold	series 10 ••• A	14 V	12 V	
		series 10 ••• E	82 V	58 V	
series 10 ••• F		154 V	-		
Typical consumption	series 10 ••• •	3 mA	3 mA		
Relay outputs	Characteristics	Conditions	DC value	AC value	
Control relay outputs Sepam series 10 B and N, O1...O3 Sepam series 10A, O1...O4	Maximum voltage	-	250 V +20 %	240 V +20 %	
	Frequency	-	-	47...63 Hz	
	Rated current	-	5 A	-	
	Breaking capacity	Resistive load		4 A/24 V 4 A/48 V 0,7 A/127 V 0,3 A/220 V	5 A/100...240 V
		Load L/R < 40 ms		5 A/24 V 1 A/48 V 0,1 A/220 V	-
		Load cos φ > 0,3		-	5 A/100...240 V
	Making capacity and withstand 200 ms	ANSI C37.90, clause 6.7		30 A, 2000 cycles	
Indication relay output Sepam series 10A, O5...O7	Maximum voltage	-	250 V +20 %	240 V +20 %	
	Frequency	-	-	47...63 Hz	
	Rated current	-	2 A	-	
	Breaking capacity	Load L/R < 20 ms		2 A/24 V 1 A/48 V 0.5 A/127 V 0.15 A/220 V	-
		Load cos φ > 0,3		-	1 A/100...240 V
Serial link	Characteristics				
Sepam series 10A only	2-wire RS485				

Auxiliary power supply




Sepam must be supplied with AC or DC power.

It is protected against reversed polarity. The supply voltage depends on the Sepam version.

	Sepam series 10 x xx A		Sepam series 10 x xx E		Sepam series 10 x xx F	
	DC	AC	DC	AC	DC	AC
Rated voltage	24...125 V ±20 %	100...120 V ±20 %	110...250 V ±20 %	100...240 V ±20 %	220...250 V ±20 %	-
Typical consumption	3 VA					
Maximum consumption	8 VA					
Inrush current	< 20 A for 100 μs					
Acceptable momentary outages	IEC 60255-11 class A: 100 %; 100 ms ; (3 relays excited)					

Electromagnetic compatibility	Standard	Level / Class	Value
Tests			
Overall	IEC 60255-26	A	-
	EN 50263	-	-
Radiated emission	CISPR22	A	-
	EN 55022	A	-
	IEC 60255-25	-	-
Conducted emission	CISPR22	A	-
	EN 55022	A	-
	IEC 60255-25	-	-
Immunity tests – Radiated disturbances			
Radiated RF fields	IEC 60255-22-3	-	10 V/m ; 80...1000 MHz ; 1.4...2.7 GHz
	IEC 61000-4-3	3	10 V/m ; 80...2000 MHz
	ANSI C37.90.2 (2004)	-	20 V/m ; 80...1000 MHz
Electrostatic discharges	IEC 60255-22-2	-	8 kV air ; 6 kV contact
	IEC 61000-4-2	3	8 kV air ; 6 kV contact
	ANSI C37.90.3	-	8 kV air ; 6 kV contact
Magnetic field at power frequency	IEC 61000-4-8	4	30 A/m (continuous) 100 A/m (for 1...3 s)
Immunity tests – Conducted disturbances			
Conducted RF disturbances	IEC 61000-4-6	3	10 V ; 0.15...80 MHz
	IEC 60255-22-6	-	
Fast transient bursts	IEC 60255-22-4		4 kV CM (1) ; 5 kHz
	IEC 61000-4-4	4	
	ANSI C37.90.1	-	4 kV ; CM (1) and DM (2) ; 5 kHz
Damped oscillatory wave	IEC 60255-22-1	-	2.5 kV DM (2)
	IEC 61000-4-18	3	1 kV DM (2) 100 kHz and 1 MHz
	ANSI C37.90.1	-	2.5 kV CM (1) and DM (2)
Surges	IEC 60255-22-5	-	1.2/50 µs ; 10/700 µs ; 2 kV CM (1) ; 1 kV DM (2)
	IEC 61000-4-5	3	
Power frequency for status inputs	IEC 60255-22-7	-	300 V CM (1) ; 150 V DM (2)
	IEC 61000-4-16	4	
Safety			
Safety tests			
General	IEC 60255-27	-	-
Dielectric withstand at power frequency	IEC 60255-5	-	2 kV 1 mn: logic input/outputs and supply, RS485 port
	IEC 60255-27	-	
	ANSI C37.90	-	1.5 kV ; 1 mn between open contacts
Surges 1.2/50 µs	IEC 60255-5 IEC 60255-27		5 kV for logic inputs and outputs 3 kV for RS485 port
Insulation resistance	IEC 60255-27	-	500 V CM (1) and DM (2) R > 100 MΩB ; R > 10 MΩA

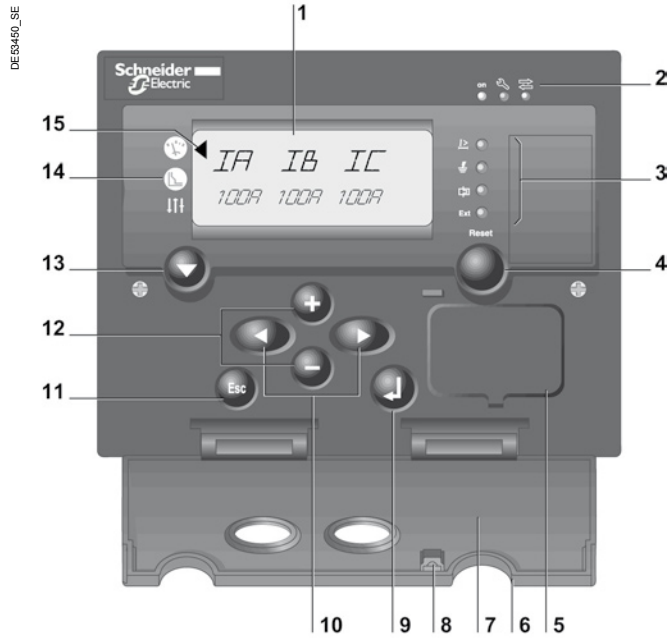
(1) CM : common mode
(2) DM : differential mode

Climatic withstand	Standard	Level / Class	Value
In operation			
Exposure to cold	IEC 60068-2-1	Ad	-40 °C (104 °F); 96 h
Exposure to dry heat	IEC 60068-2-2	Bd	+70 °C (158 °F); 96 h
Exposure to damp heat	IEC 60068-2-78	Cab	93 % HR; 40 °C; 56 days
Salt mist	IEC 60068-2-52	Kb/2	3 cycles of 24 hours each
Corrosive atmosphere / 2 gas test	IEC 60068-2-60	Ke	21 days; 75 % HR; 25 °C (77 °F); 0.5 ppm H ₂ S; 1 ppm SO ₂
Storage in original packaging			
Exposure to cold	IEC 60068-2-1	-	-40 °C (104 °F); 96 h
Exposure to dry heat	IEC 60068-2-2	Bd	+70 °C (158 °F); 96 h
Exposure to damp heat	IEC 60068-2-78	Cab	93 % HR; 40 °C; 56 days
Temperature variation	IEC 60068-2-14	Nb	5 °C/mn at -40...+70 °C (-40...+158 °F)
Mechanical robustness			
In operation			
Vibrations	IEC 60255-21-1	2	1 Gn; 10...150 Hz; 1 cycle
Shocks	IEC 60255-21-2	2	10 Gn for 11 ms
Earthquakes	IEC 60255-21-3	2	2 Gn horizontal, 1 Gn vertical
De-energized			
Vibrations	IEC 60255-21-1	2	2 Gn; 10...150 Hz; 20 cycles
Shocks	IEC 60255-21-2	2	30 Gn for 11 ms
Bumps	IEC 60255-21-2	2	20 Gn for 16 ms
Enclosure protection			
Front panel	IEC 60529	IP54	-
	NEMA 250	Type 12	-
Rear panel	IEC 60529	IP40	-
Shocks	IEC 62262	IK7	2 Joules
Fire resistance	IEC 60695-2-11	-	650 °C
Certification			
	Harmonized standard: EN 50263		Directives and amendments: <input checked="" type="checkbox"/> 89/336/EEC Electromagnetic Compatibility (EMC) Directive <input type="checkbox"/> 92/31/EEC Amendment <input type="checkbox"/> 93/68/EEC Amendment <input checked="" type="checkbox"/> 73/23/EEC Low-Voltage Directive <input type="checkbox"/> 93/68/CEE Amendment
	UL508		Consult us
	CSA C22.2		Consult us

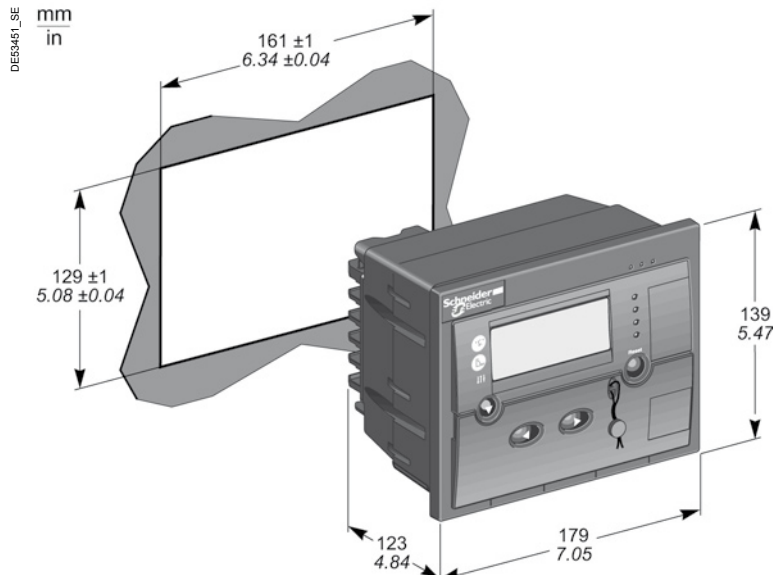
User-machine interface and dimensions

User-machine interface

- 1 Back-lit display
- 2 Status LEDs
- 3 Fault LEDs
- 4 Button for Sepam reset and maximeter reset
- 5 Battery housing (Sepam series 10 A)
- 6 Protection cover for settings
- 7 Identification zone
- 8 Lead-seal accessory
- 9 Button for setting selection and confirmation
- 10 Buttons for selection in a menu
- 11 Button to cancel entry
- 12 Buttons for setting adjustments
- 13 Button for menu selection and LED test
- 14 Menu pictograms
- 15 Cursor for menu selection

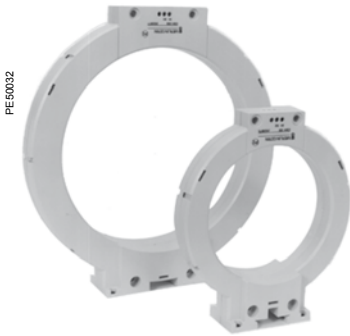


Dimensions



Characteristics	Applicable to	Value
Dimensions	series 10 •••	180 x 140 x 90 mm / 7.09" x 5.51" x 3.54"
Weight depending on number of current inputs	series 10 N 1•• series 10 B 3•• series 10 A 4••	1.15 kg/2.53 pounds 1.26 kg/2.78 pounds 1.46 kg/3.22 pounds
Type of battery	series 10 A•••	1/2 AALi 3.6 V

Core balance CTs CSH120, CSH200, GO110



Core balance CTs CSH120 and CSH200.

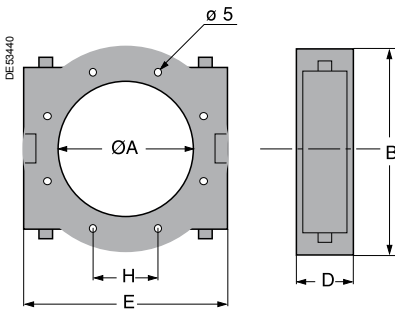
Function

The specifically designed CSH120 and CSH200 core balance CTs are used for direct residual current measurement. The only difference between them is the diameter. Due to their low voltage insulation, they may be used only on cables with earthed shielding.

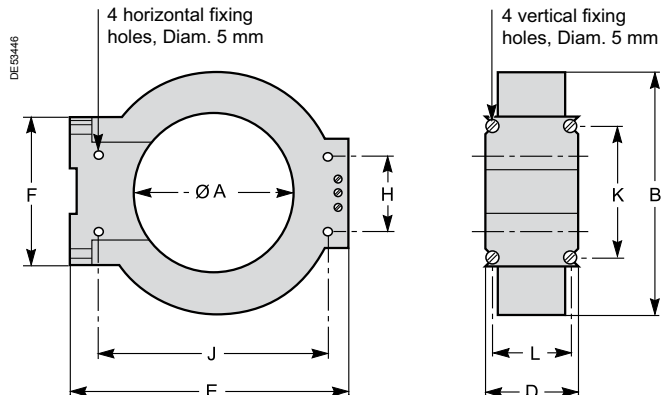
Characteristics

	CSH120	CSH200	GO110
Inner diameter	120 mm (4.7 in)	200 mm (7.9 in)	110 mm (4.33 in)
Weight	0.6 kg (1.32 lb)	1.4 kg (3.09 lb)	3.2 kg (7.05 lb)
Accuracy	±5 % à 20 °C (68 °F)		<0,5 % (10...250A)
	±6 % max. from -25 °C to 70 °C (-13 °F to +158 °F)		<1,5 % (10...250A)
Transformation ratio	1/470		
Maximum permissible current	20 kA - 1 s		
Operating temperature	-25 °C to +70 °C (-13 °F to +158 °F)		
Storage temperature	-40 °C to +85 °C (-40 °F to +185 °F)		

GO110 dimensions



CSH120 and CSH200 dimensions



Dimensions	A	B	D	E	F	H	J	K	L	
CSH120	mm	120	164	44	190	76	40	166	62	35
	in	4.72	6.46	1.73	7.48	2.99	1.57	6.54	2.44	1.38
CSH200	mm	200	256	46	274	120	60	257	104	37
	in	7.87	10.1	1.81	10.8	4.72	2.36	10.1	4.09	1.46
GO110	mm	110	110	72	148	-	57	-	-	-
	in	4.33	4.33	2.83	5.83	-	2.24	-	-	-

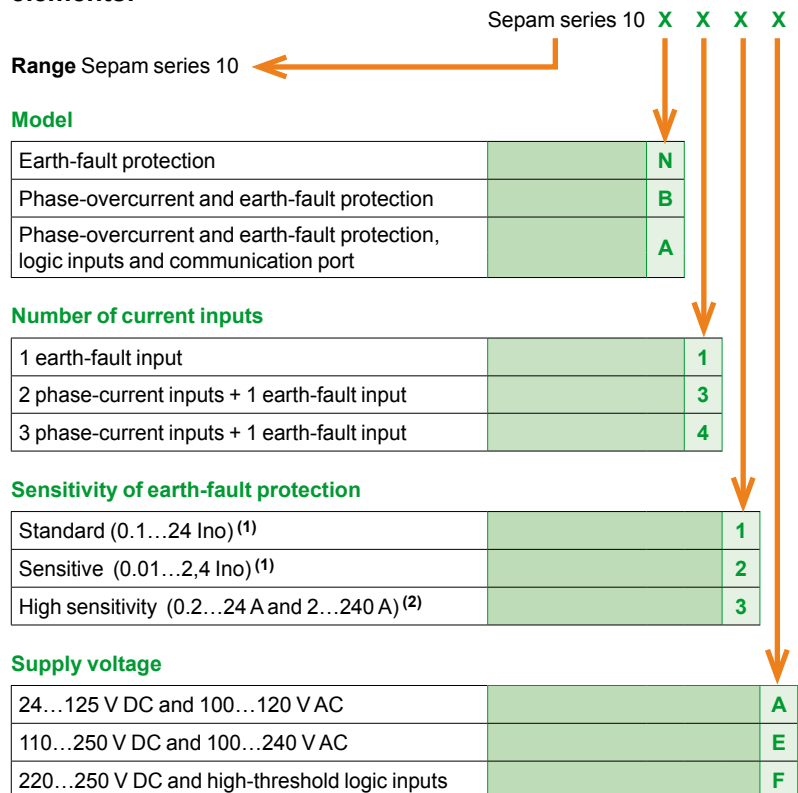
Catalogue numbers

Sepam series 10		
Type	Cat. no	Quantity
Sepam series 10 N 11 A	REL59817	
Sepam series 10 N 11 E	REL59819	
Sepam series 10 N 13 A	REL59818	
Sepam series 10 N 13 E	REL59820	
Sepam series 10 B 31 A	REL59800	
Sepam series 10 B 31 E	REL59801	
Sepam series 10 B 41 A	REL59802	
Sepam series 10 B 41 E	REL59805	
Sepam series 10 B 42 A	REL59803	
Sepam series 10 B 42 E	REL59806	
Sepam series 10 B 43 A	REL59804	
Sepam series 10 B 43 E	REL59807	
Sepam series 10 A 41 A	REL59808	
Sepam series 10 A 41 E	REL59811	
Sepam series 10 A 41 F	REL59814	
Sepam series 10 A 42 A	REL59809	
Sepam series 10 A 42 E	REL59812	
Sepam series 10 A 42 F	REL59815	
Sepam series 10 A 43 A	REL59810	
Sepam series 10 A 43 E	REL59813	
Sepam series 10 A 43 F	REL59816	

Replacement parts		
Type	Cat. no	Quantity
CCA 680 set of spare connectors	REL59798	

Core balance CTs		
Type	Cat. no	Quantity
Split core balance CTs, dia. 110 mm	GO110	50134
Core balance CTs, dia. 120	CSH120	59635
Core balance CTs, dia. 200	CSH200	59636

A Sepam series 10 catalogue number comprises different elements:



(1) Uses 1 A/5 A sensors.
 (2) Uses CSH CTs.

Schneider Electric Industries SAS
89, boulevard Franklin Roosevelt
F - 92505 Rueil-Malmaison Cedex (France)
Tel : +33 (0)1 41 29 85 00
<http://www.schneider-electric.com>

As standards, specifications and designs change from time to time, please ask for confirmation of the information given in this publication.



Printed on recycled paper.

Design:
Publication: Schneider Electric
Printed: